

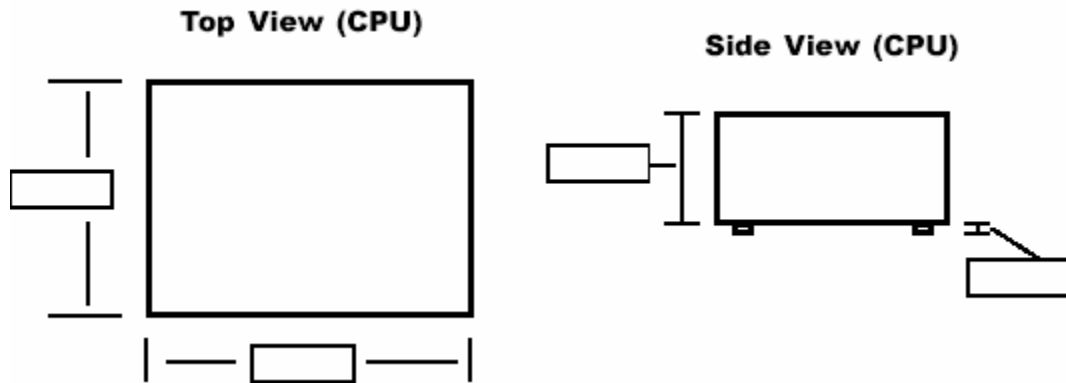
Midwest Case Company

Phone: 1-800-515-1055
FAX: 1-740-964-9520

Request for Dimensions

Please fill in all dimensions that apply to your equipment.
(For FAX purposes please do not use pencil)

COMPUTER CPU AND KEYBOARD



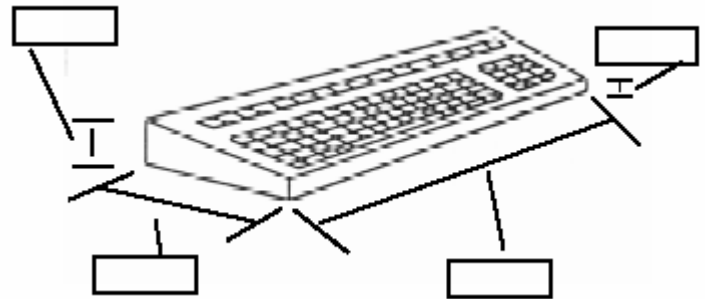
Sub-Dimensions **MUST** equal Overall Dimensions

EQUIPMENT INFORMATION

Make: _____

Model No. _____

Weight: _____



Contact Information

Name: _____

Company: _____

Telephone: _____

FAX: _____

Email: _____

PLEASE NOTE: IF EQUIPMENT HAS PROTRUSIONS SUCH AS KNOBS, SWITCHES, PERMANENTLY ATTACHED CORDS, ETC. PLEASE SHOW LOCATIONS ON AN ADDITIONAL SHEET.

FAX Completed form to: 1-740-964-9520